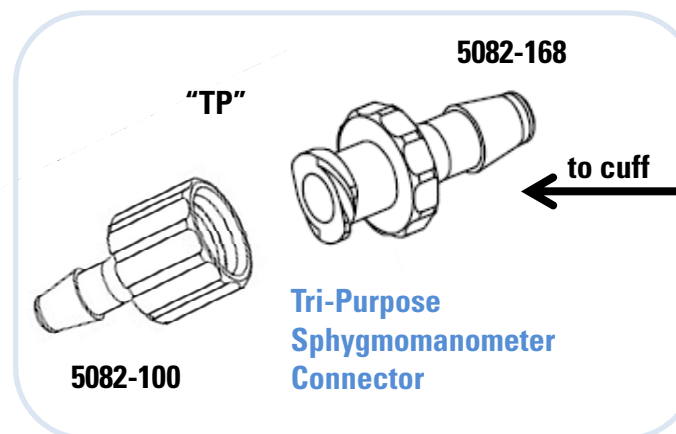
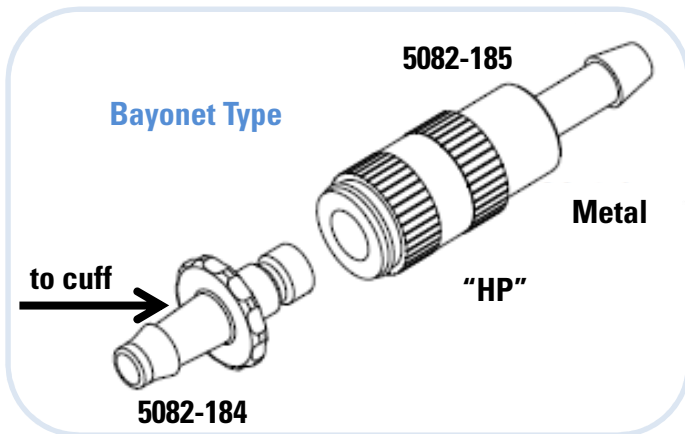
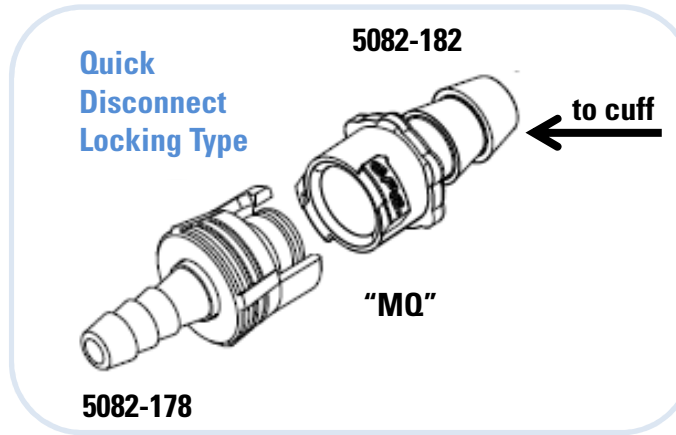
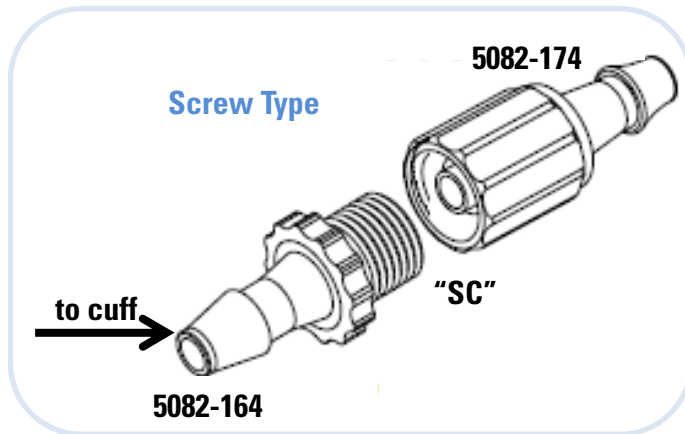


FlexiPort™ and Common Blood Pressure Cuff Connectors



Note: All connectors listed are sold in a packet of 10, except for 5082-185 which is sold in a packet of 2.

Welch Allyn Australia

Unit 5, 38-46 South Street, Rydalmere NSW 2116
 Phone: 02 9638 3000 | Fax: 02 9638 3500 | www.welchallyn.com
 © 2013 Welch Allyn | WAA-MC1351



Advancing Frontline Care™